

GAS SHUTOFF IN AN EMERGENCY

Knowing the location of your main gas service shutoff valve will help you turn off the gas supply to your entire facility quickly in case of an emergency. The gas meter and gas service shutoff valve is usually located on the side or in front of the building.

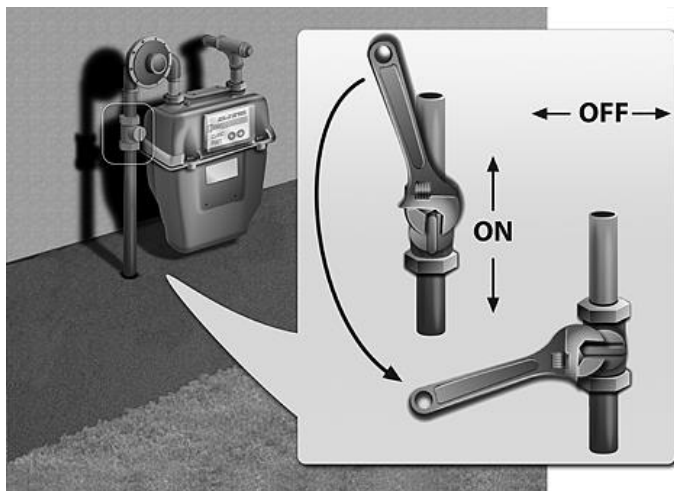
When to Turn Off Your Gas:

Do not shut off the gas unless you smell gas, hear gas escaping, see a broken gas line or see the meter dial spinning. **Once the gas is shut off at the meter, do not try to turn it back on yourself.** If the gas service shutoff valve is closed, PG&E or another qualified professional should perform a safety inspection before the gas service is restored and the appliance pilots are lite.

Find the Natural Gas Shut-off Valve:

As you face the meter, you'll see a pipe running from the ground to the meter. There is a shut-off valve running parallel with the pipe, usually located about 6 to 8 inches above the ground. Take a 12-inch or larger adjustable wrench, and turn the valve 1/4 turn in either direction, until the valve is crosswise to the pipe. (See Diagram B)

TIP: *Keep a 12-inch or larger adjustable wrench with your emergency supplies, or next to your valve. Do not store the wrench on the meter or other natural gas piping or related equipment.*



DEDICATED TURNOFF TOOL